

# Poligon Fabric Shelter Specification Form

by **PORTERCORP**  
 PORTERCORP, 4240 N. 136th AVE, HOLLAND, MI 49424  
 www.poligonfabric.com 616-399-1963

PROJECT NAME: \_\_\_\_\_

PROJECT LOCATION: \_\_\_\_\_

CUSTOMER NAME: \_\_\_\_\_

E-MAIL: \_\_\_\_\_

COMPANY: \_\_\_\_\_

ADDRESS: \_\_\_\_\_

ADDRESS 2: \_\_\_\_\_

CITY: \_\_\_\_\_

STATE: \_\_\_\_\_ ZIP: \_\_\_\_\_

PHONE: \_\_\_\_\_ FAX: \_\_\_\_\_

SEISMIC DESIGN: \_\_\_\_\_ BLDG CODE: \_\_\_\_\_

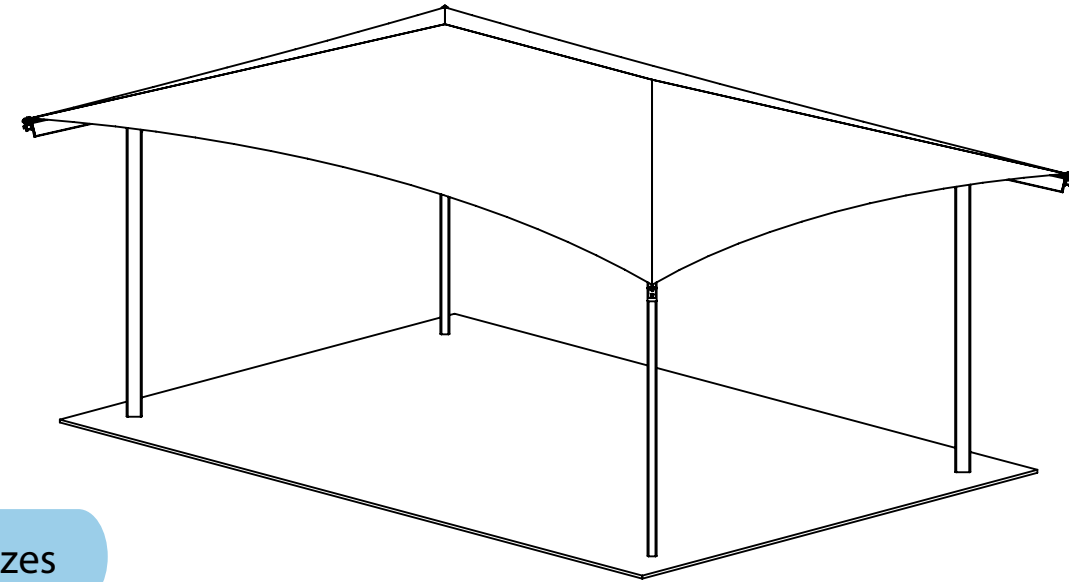
## STANDARD WITH THIS BUILDING:

- Structural steel frame finished with PorterCorp's super-durable Poli-5000 powercoat finish
- Epoxy primer powder coat applied for superior corrosion protection
- HDPE Fabric top
- Patented telescoping eaves to facilitate easy top installation and removal

## SELECT MODIFICATIONS TO A STANDARD:

- Custom clearance height:
- Add electrical cutouts
- Add e-coating
- Add galvanizing
- Water resistant top
- Water proof vinyl top

# Fabric Hip Shelter [ IHIP ]



## Standard Sizes

BIN	Width	Length	Clearance	Number of Columns
IHIP	12	18	8'-0"	4
IHIP	12	22	8'-0"	4
IHIP	16	16	8'-0"	4
IHIP	16	24	8'-0"	4
IHIP	16	34	8'-0"	4
IHIP	20	20	8'-0"	4
IHIP	20	24	8'-0"	4
IHIP	20	34	8'-0"	4
IHIP	20	44	8'-0"	6
IHIP	24	24	10'-0"	4
IHIP	24	34	10'-0"	4

BIN	Width	Length	Clearance	Number of Columns
IHIP	24	44	10'-0"	6
IHIP	30	30	10'-0"	4
IHIP	30	34	10'-0"	4
IHIP	30	44	10'-0"	6
IHIP	36	36	10'-0"	4
IHIP	40	40	12'-0"	8
IHIP	40	44	12'-0"	8
IHIP	40	64	12'-0"	8
IHIP	50	50	12'-0"	8
IHIP	50	64	12'-6"	8

## Sheet Index

- COVER SHEET / ORDER FORM
- ELEVATION VIEWS
- STRUCTURAL FRAME
- ANCHOR LAYOUT

See website for steel frame and fabric roof color choices: [www.poligonfabric.com](http://www.poligonfabric.com)

SHELTER MODEL:  
**FABRIC HIP SHELTER**  
**IHIP**

SCALE: 1:45      REV LEVEL: A      DATE: 4/01/13



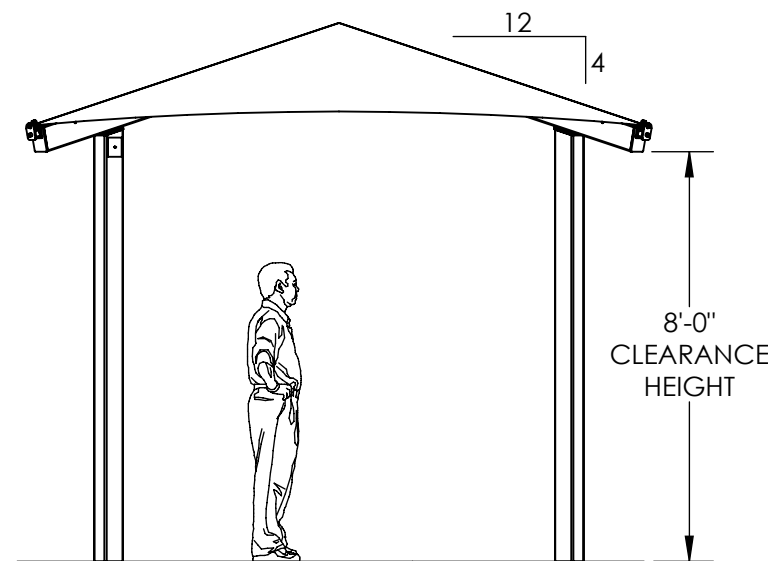
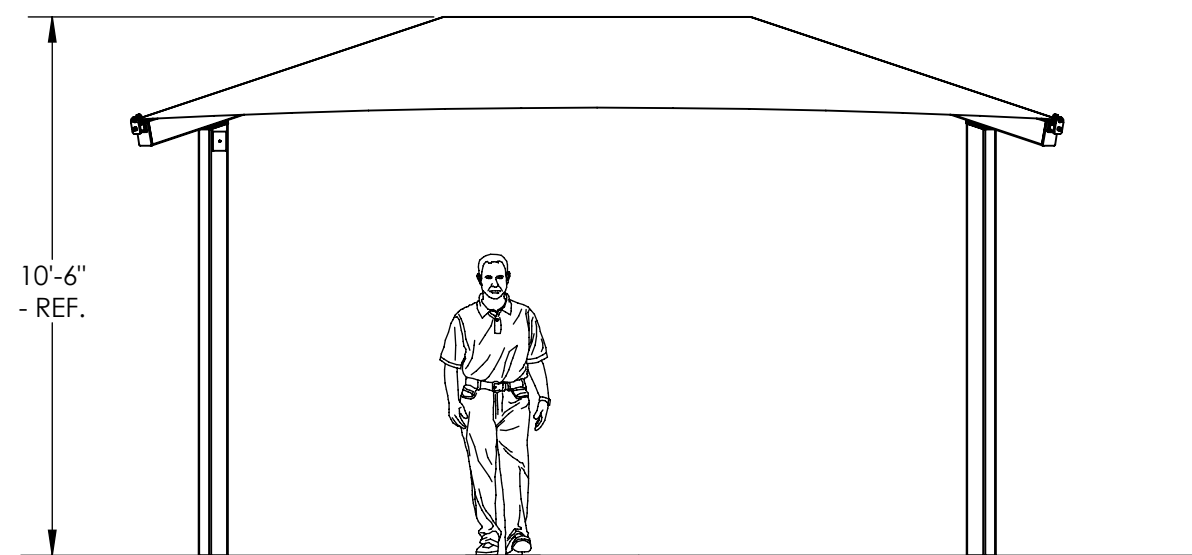
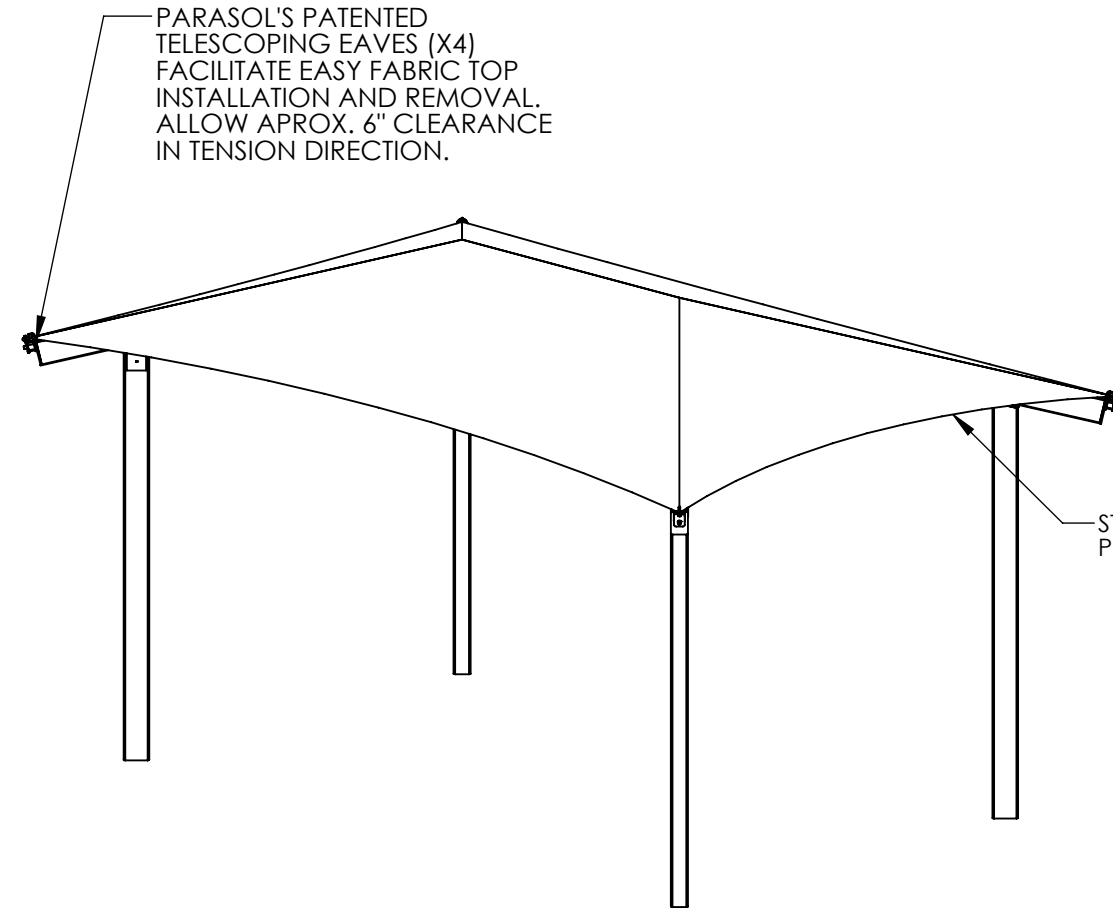
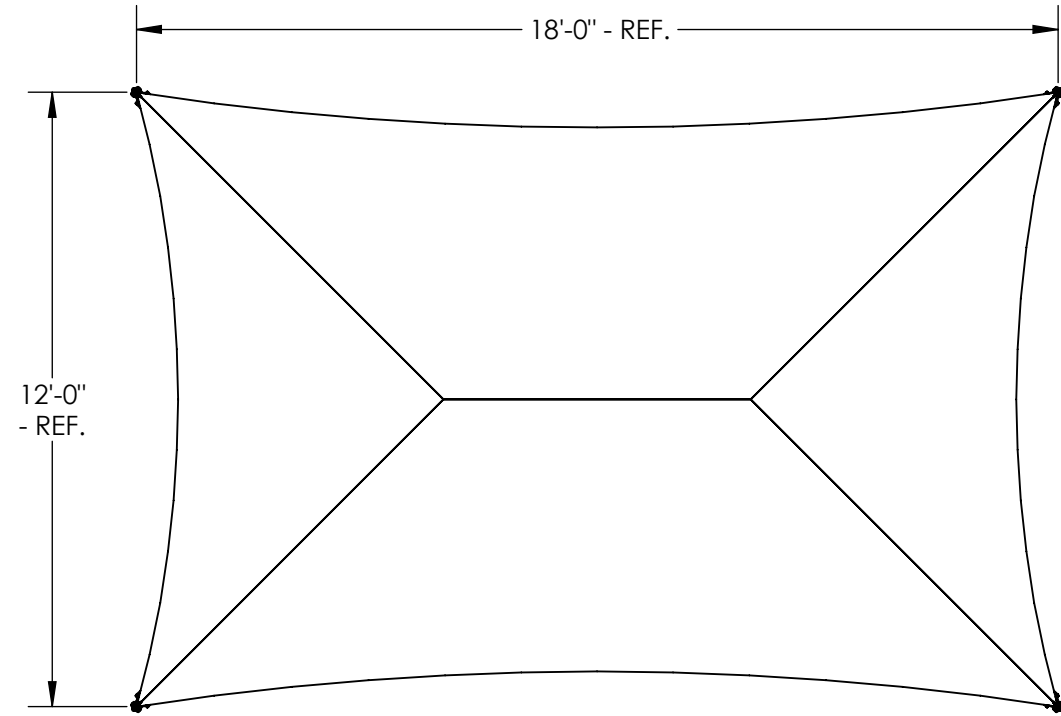
Designs and calculations of Poligon buildings are protected under copyright laws and patents and may not be used in the construction or design of a building that is not supplied by Poligon.

by **PORTERCORP**  
 PORTERCORP, 4240 N. 136th AVE, HOLLAND, MI 49424  
 www.poligonfabric.com 616-399-1963

SHEET  
**COVER SHEET**

NOTE: THIS IS A  
PLANNING LEVEL DRAWING.

THE STRUCTURE SHOWN IS SUBJECT TO  
ON-GOING DESIGN REVIEW AND  
UPDATE. EXPECT SOME CHANGES  
TO MATERIAL SIZES AND GENERAL  
DIMENSIONS. ONLY USE DRAWINGS  
PROVIDED WITH ENGINEERED  
STRUCTURES FOR CONSTRUCTION.



THIS SHELTER PROVIDES 216 SQUARE FEET OF SHADE.

SHELTER MODEL:  
**FABRIC HIP RECTANGLE 12X18**  
**IHIP-12X18**

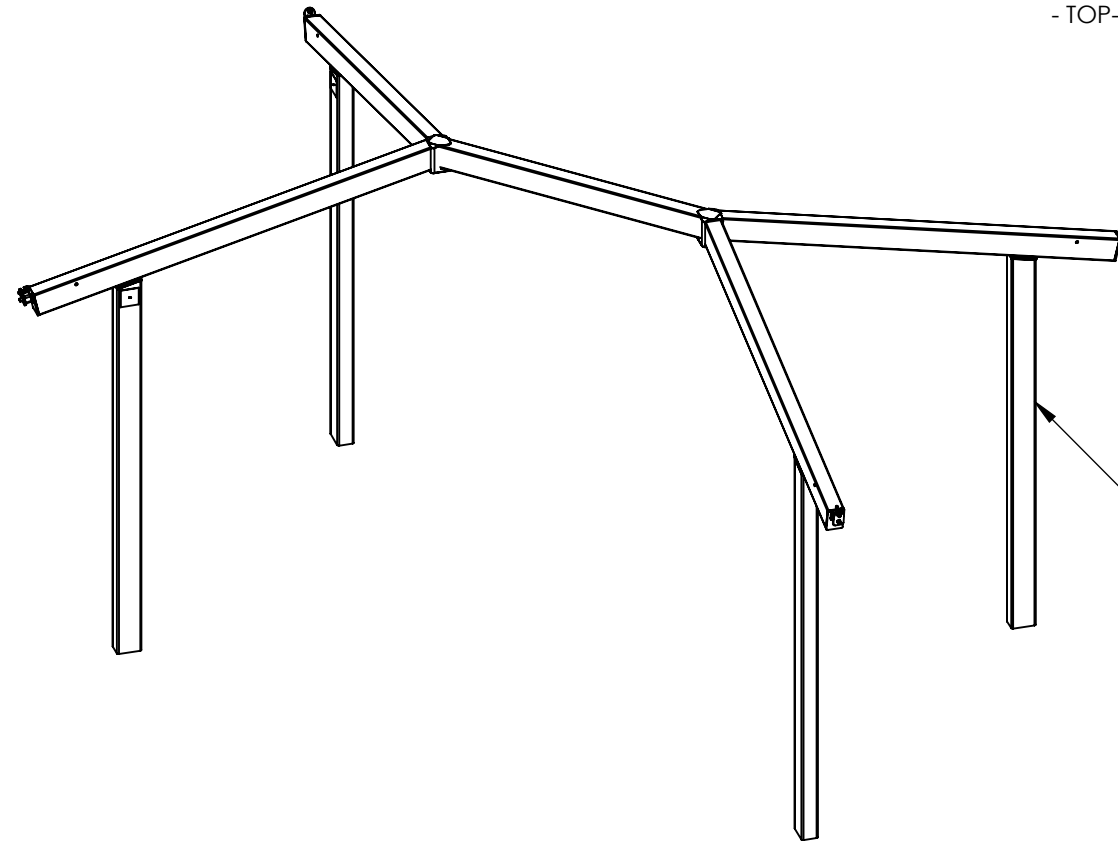
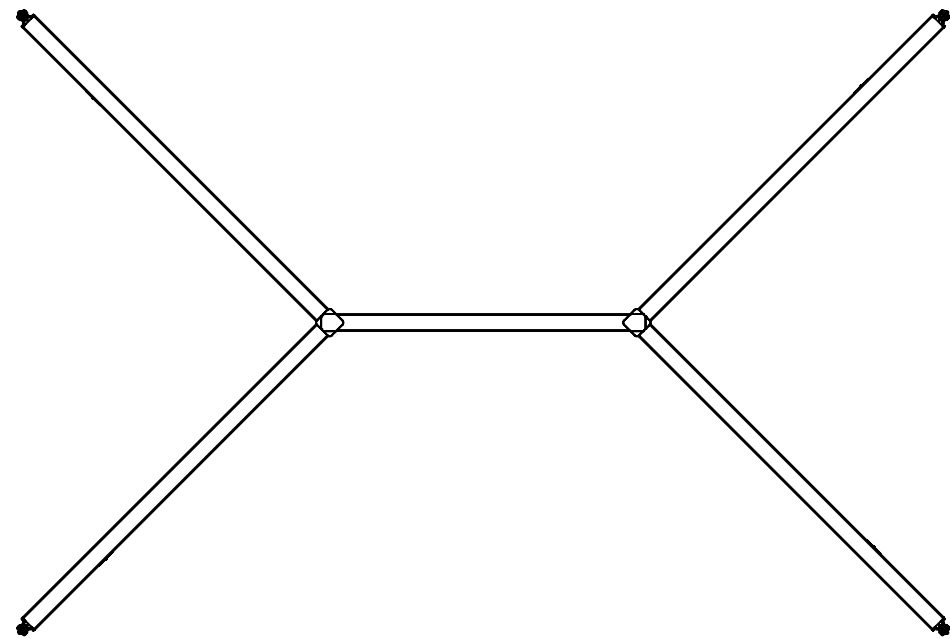
SCALE: 1:45	REV LEVEL: A	DATE: 6/28/2012
----------------	-----------------	--------------------

**poligon**  
FABRIC

Designs and calculations of Poligon buildings are protected under copyright laws and patents and may not be used in the construction or design of a building that is not supplied by Poligon.

by **PORTERCORP**  
PORTERCORP, 4240 N. 136th AVE, HOLLAND, MI 49424  
[www.poligonfabric.com](http://www.poligonfabric.com) 616-399-1963

SHEET  
**ELEVATION VIEWS**



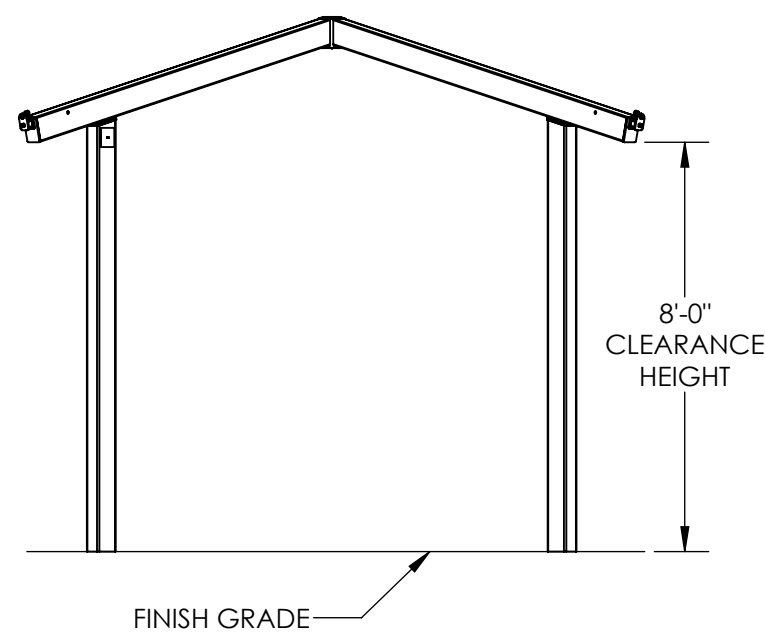
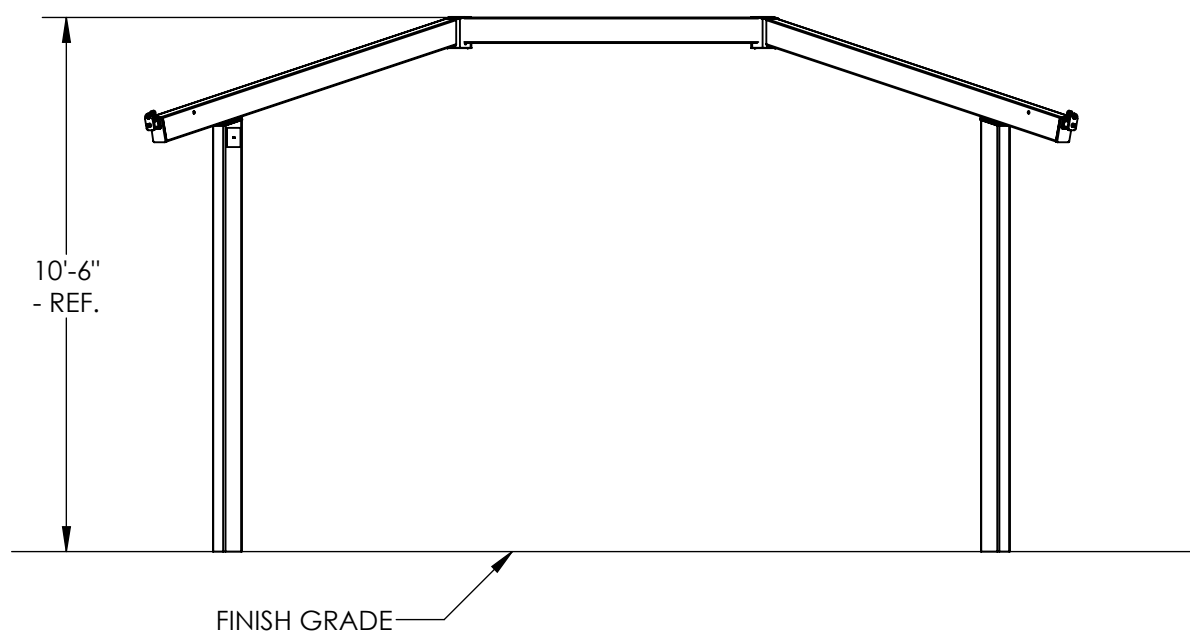
FRAME FINISH:  
 - MEMBERS SHOT BLASTED TO NEAR WHITE CONDITION (SSPC SP-10),  
 - WASHED AND SEALED IN A PHOSPHATE SPRAY,  
 - PRIME COATED WITH POLI-5000 HIGH PERFORMANCE POWDER APPLIED EPOXY,  
 - TOP-COATED WITH SUPER-DURABLE TGIC POLYESTER POWDER AND OVEN CURED.

OPTIONAL:  
 EPOXY UNDERCOAT (E-COAT) FULL IMMERSION ELECTRO DEPOSITION PROCESS.

STEEL COLUMNS AND FRAME MEMBERS, POWDERCOAT FINISHED. 34 STANDARD COLORS AVAILABLE

NOTE: THIS IS A PLANNING LEVEL DRAWING.

THE STRUCTURE SHOWN IS SUBJECT TO ON-GOING DESIGN REVIEW AND UPDATE. EXPECT SOME CHANGES TO MATERIAL SIZES AND GENERAL DIMENSIONS. ONLY USE DRAWINGS PROVIDED WITH ENGINEERED STRUCTURES FOR CONSTRUCTION.



SHELTER MODEL:  
**FABRIC HIP RECTANGLE 12X18**  
**IHIP-12X18**

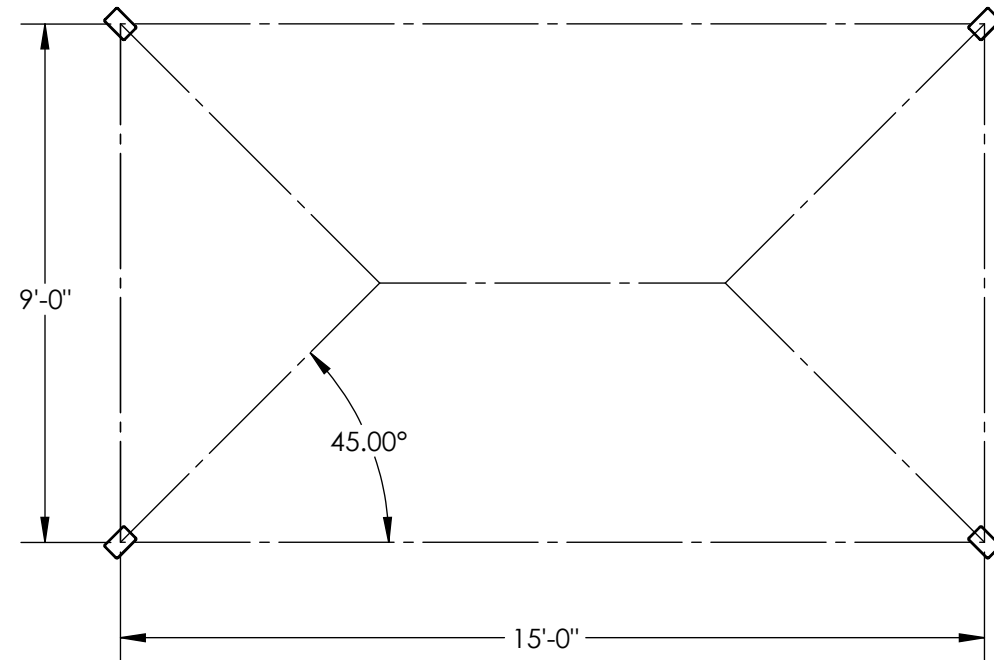
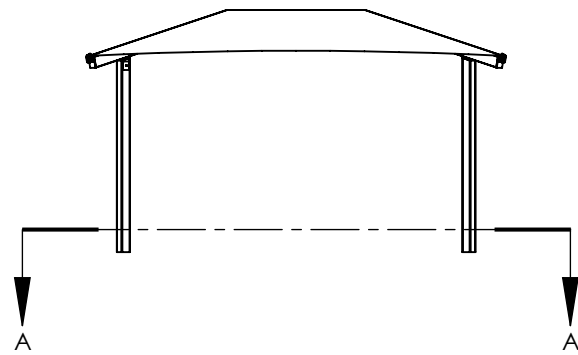
SCALE: 1:45	REV LEVEL: A	DATE: 6/28/2012
----------------	-----------------	--------------------



Designs and calculations of Poligon buildings are protected under copyright laws and patents and may not be used in the construction or design of a building that is not supplied by Poligon.

by **PORTERCORP**  
 PORTERCORP, 4240 N. 136th AVE, HOLLAND, MI 49424  
 www.poligonfabric.com 616-399-1963

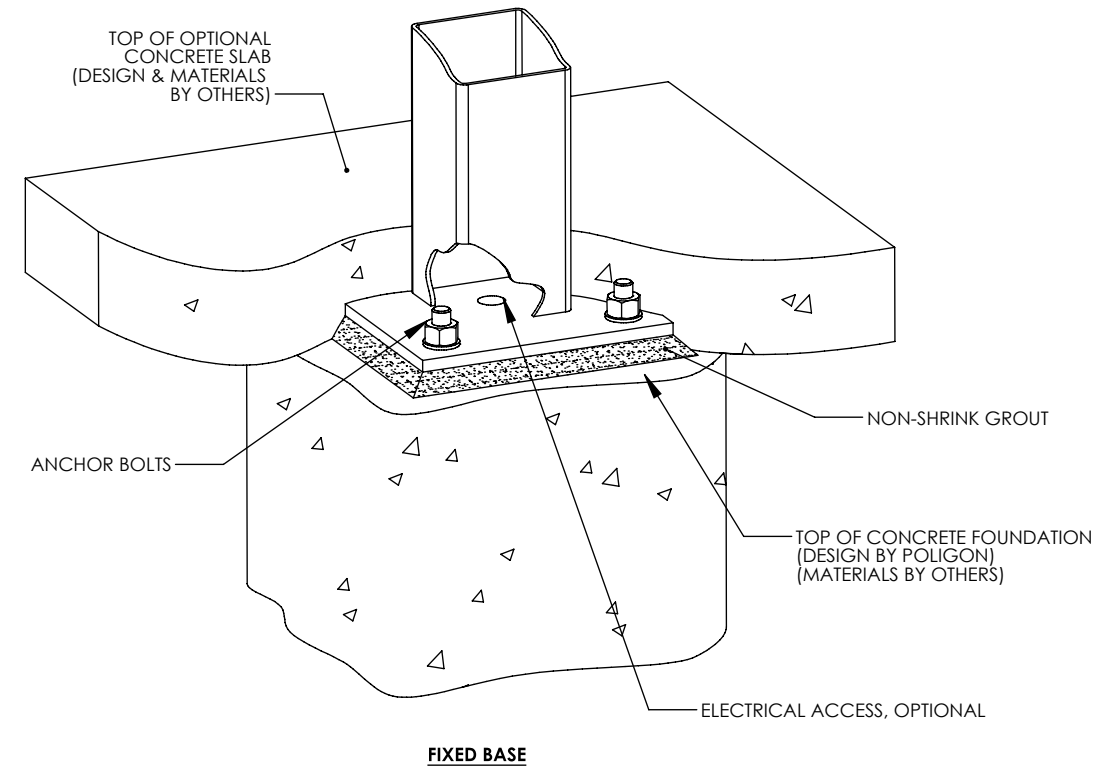
SHEET  
**FRAME VIEWS**



SECTION A-A

NOTE: THIS IS A  
PLANNING LEVEL DRAWING.

THE STRUCTURE SHOWN IS SUBJECT TO  
ON-GOING DESIGN REVIEW AND  
UPDATE. EXPECT SOME CHANGES  
TO MATERIAL SIZES AND GENERAL  
DIMENSIONS. ONLY USE DRAWINGS  
PROVIDED WITH ENGINEERED  
STRUCTURES FOR CONSTRUCTION.



REFER TO ANCHOR AND FOOTING  
DOWNLOAD SHEETS FOR GENERAL  
INFORMATION ON BOTH ANCHOR  
ATTACHMENT AND TYPICAL FOOTING  
TYPES. ANCHOR ATTACHMENT AND  
FOOTING DESIGNS ARE SITE AND  
SITUATION SPECIFIC AND ARE INTEGRAL  
TO THE FINAL SHELTER DESIGN.

ALL POLIGON COLUMN ANCHORING  
SYSTEMS ARE OSHA COMPLIANT.

DO NOT POUR FOOTING OR INSTALL  
ANCHOR BOLTS WITHOUT **JOB SPECIFIC**  
ANCHOR AND FOOTING DESIGN  
DRAWINGS.

THIS IS A PRELIMINARY DRAWING. THE ANCHOR  
METHOD, AND DIMENSIONS SHOWN ARE TENTATIVE.  
ENGINEERING REVIEW OF CODE REQUIREMENTS MAY  
INDICATE THE NEED FOR AN ALTERNATIVE  
ANCHORING METHOD. ONLY USE INSTALLATION LEVEL  
DRAWINGS PROVIDED WITH EACH SPECIFIC SHELTER  
FOR ANCHOR BOLT LAYOUT AND INSTALLATION.

SHELTER MODEL:  
**FABRIC HIP RECTANGLE 12X18**  
**IHIP-12X18**

SCALE: 1:4	REV LEVEL: A	DATE: 6/28/2012
---------------	-----------------	--------------------



Designs and calculations of Poligon buildings are protected under copyright  
laws and patents and may not be used in the construction or design of a  
building that is not supplied by Poligon.

by **PORTERCORP**  
PORTERCORP, 4240 N. 136th AVE, HOLLAND, MI 49424  
[www.poligonfabric.com](http://www.poligonfabric.com) 616-399-1963

SHEET  
**COLUMN LAYOUT**