

Poligon Fabric Shelter Specification Form

by **PORTERCORP**
 PORTERCORP, 4240 N. 136th AVE, HOLLAND, MI 49424
 www.poligonfabric.com 616-399-1963

PROJECT NAME: _____

PROJECT LOCATION: _____

CUSTOMER NAME: _____

E-MAIL: _____

COMPANY: _____

ADDRESS: _____

ADDRESS 2: _____

CITY: _____

STATE: _____ ZIP: _____

PHONE: _____ FAX: _____

SEISMIC DESIGN: _____ BLDG CODE: _____

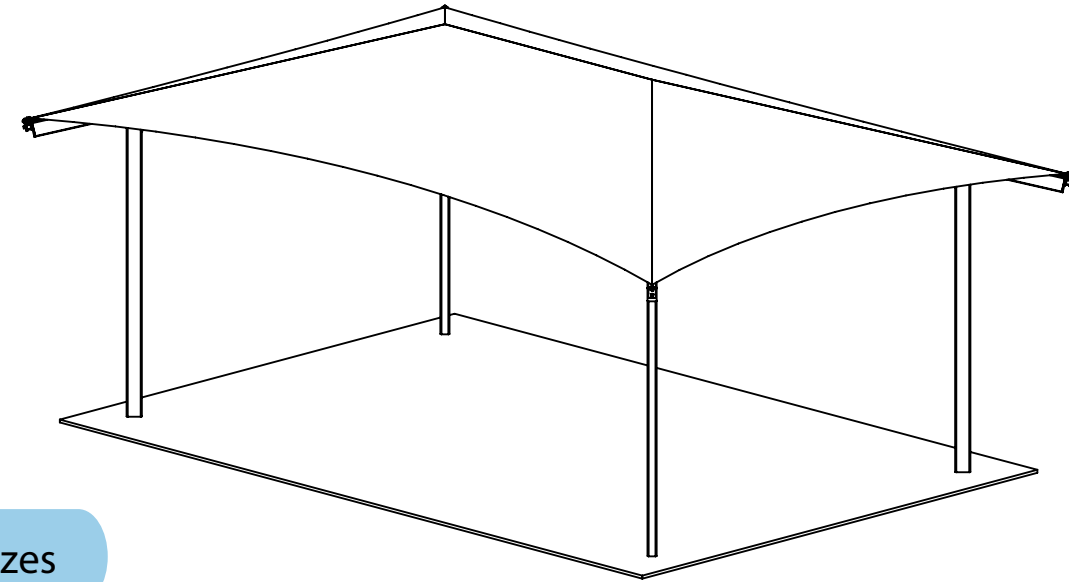
STANDARD WITH THIS BUILDING:

- Structural steel frame finished with PorterCorp's super-durable Poli-5000 powercoat finish
- Epoxy primer powder coat applied for superior corrosion protection
- HDPE Fabric top
- Patented telescoping eaves to facilitate easy top installation and removal

SELECT MODIFICATIONS TO A STANDARD:

- Custom clearance height:
- Add electrical cutouts
- Add e-coating
- Add galvanizing
- Water resistant top
- Water proof vinyl top

Fabric Hip Shelter [IHIP]



Standard Sizes

| BIN | Width | Length | Clearance | Number of Columns |
|------|-------|--------|-----------|-------------------|
| IHIP | 12 | 18 | 8'-0" | 4 |
| IHIP | 12 | 22 | 8'-0" | 4 |
| IHIP | 16 | 16 | 8'-0" | 4 |
| IHIP | 16 | 24 | 8'-0" | 4 |
| IHIP | 16 | 34 | 8'-0" | 4 |
| IHIP | 20 | 20 | 8'-0" | 4 |
| IHIP | 20 | 24 | 8'-0" | 4 |
| IHIP | 20 | 34 | 8'-0" | 4 |
| IHIP | 20 | 44 | 8'-0" | 6 |
| IHIP | 24 | 24 | 10'-0" | 4 |
| IHIP | 24 | 34 | 10'-0" | 4 |

| BIN | Width | Length | Clearance | Number of Columns |
|------|-------|--------|-----------|-------------------|
| IHIP | 24 | 44 | 10'-0" | 6 |
| IHIP | 30 | 30 | 10'-0" | 4 |
| IHIP | 30 | 34 | 10'-0" | 4 |
| IHIP | 30 | 44 | 10'-0" | 6 |
| IHIP | 36 | 36 | 10'-0" | 4 |
| IHIP | 40 | 40 | 12'-0" | 8 |
| IHIP | 40 | 44 | 12'-0" | 8 |
| IHIP | 40 | 64 | 12'-0" | 8 |
| IHIP | 50 | 50 | 12'-0" | 8 |
| IHIP | 50 | 64 | 12'-6" | 8 |

Sheet Index

- COVER SHEET / ORDER FORM
- ELEVATION VIEWS
- STRUCTURAL FRAME
- ANCHOR LAYOUT

See website for steel frame and fabric roof color choices: www.poligonfabric.com

SHELTER MODEL:
FABRIC HIP SHELTER
IHIP

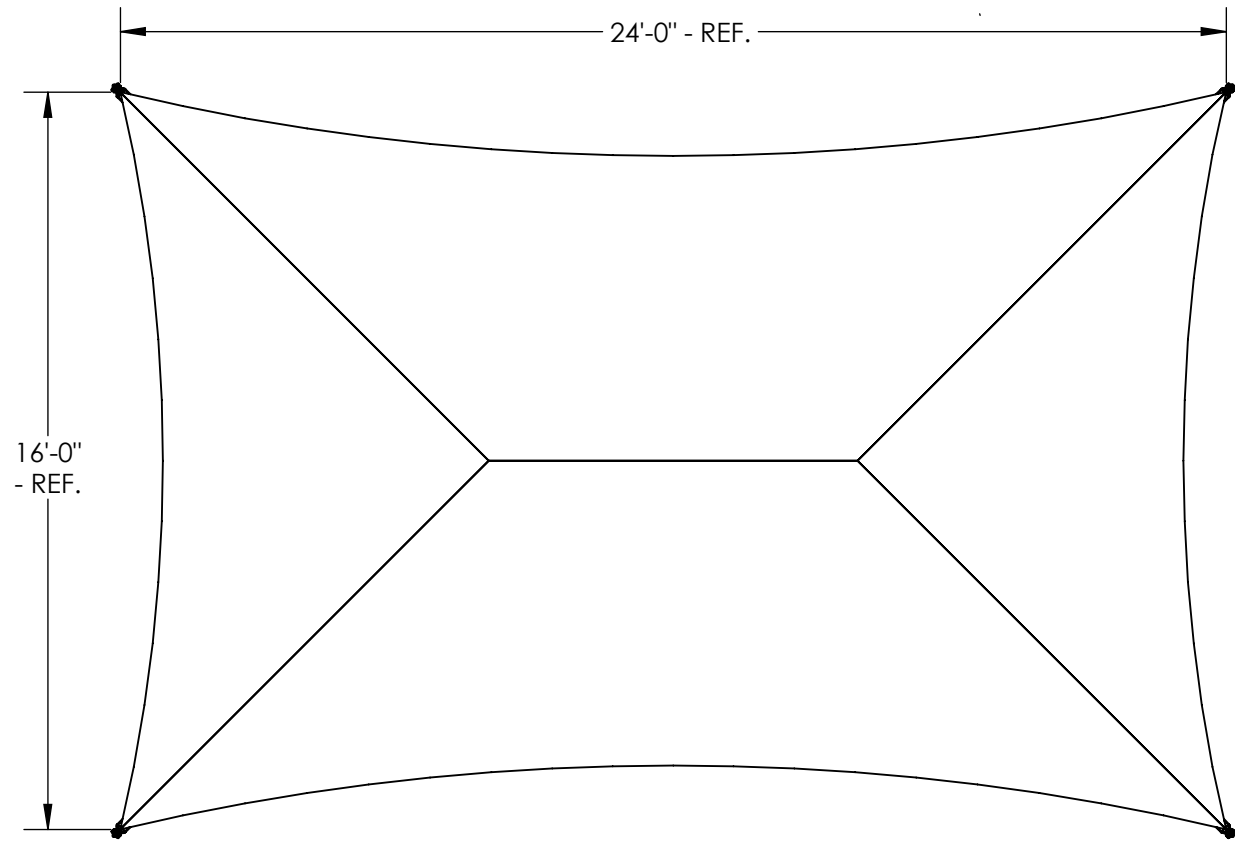
SCALE: 1:45 REV LEVEL: A DATE: 4/01/13



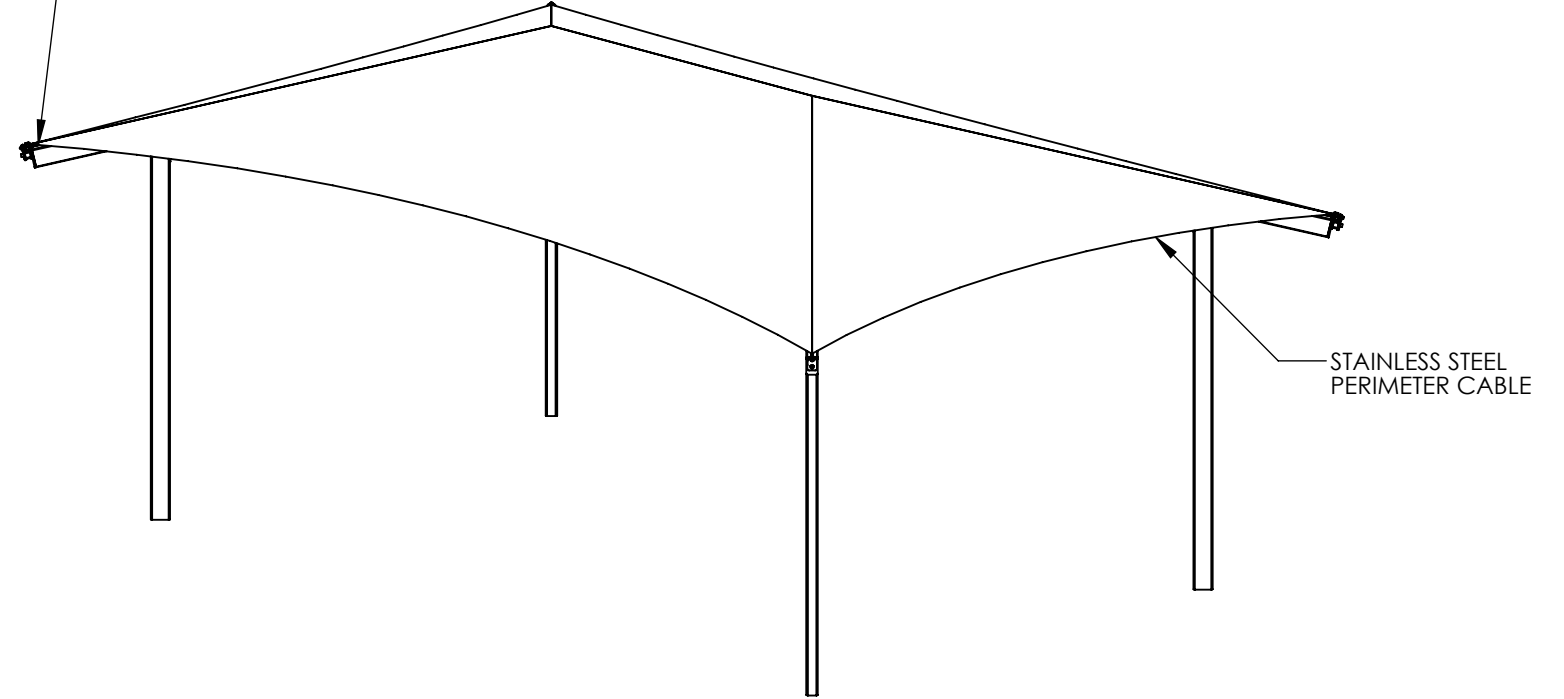
Designs and calculations of Poligon buildings are protected under copyright laws and patents and may not be used in the construction or design of a building that is not supplied by Poligon.

by **PORTERCORP**
 PORTERCORP, 4240 N. 136th AVE, HOLLAND, MI 49424
 www.poligonfabric.com 616-399-1963

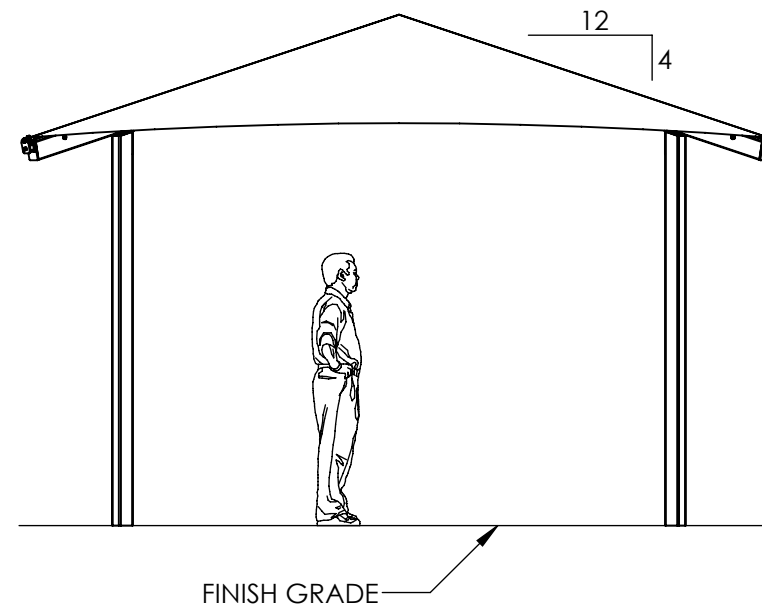
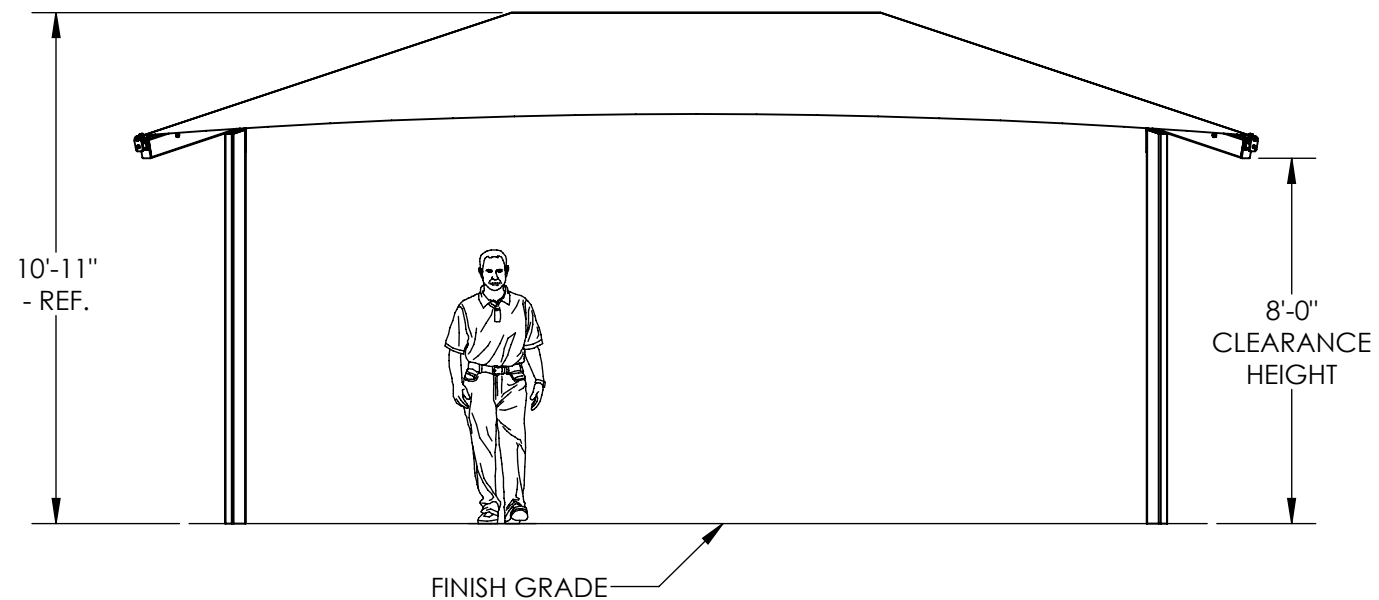
SHEET
COVER SHEET



PARASOL'S PATENTED TELESCOPING EAVES (X4) FACILITATE EASY FABRIC TOP INSTALLATION AND REMOVAL. ALLOW APROX. 6" CLEARANCE IN TENSION DIRECTION.



NOTE: THIS IS A PLANNING LEVEL DRAWING. THE STRUCTURE SHOWN IS SUBJECT TO ON-GOING DESIGN REVIEW AND UPDATE. EXPECT SOME CHANGES TO MATERIAL SIZES AND GENERAL DIMENSIONS. ONLY USE DRAWINGS PROVIDED WITH ENGINEERED STRUCTURES FOR CONSTRUCTION.



THIS SHELTER PROVIDES 384 SQUARE FEET OF SHADE.

SHELTER MODEL:
FABRIC HIP RECTANGLE 16X24
IHIP-16X24

| | | |
|----------------|-----------------|--------------------|
| SCALE: 1:50 | REV LEVEL: A | DATE: 6/28/2012 |
|----------------|-----------------|--------------------|

poligon
FABRIC

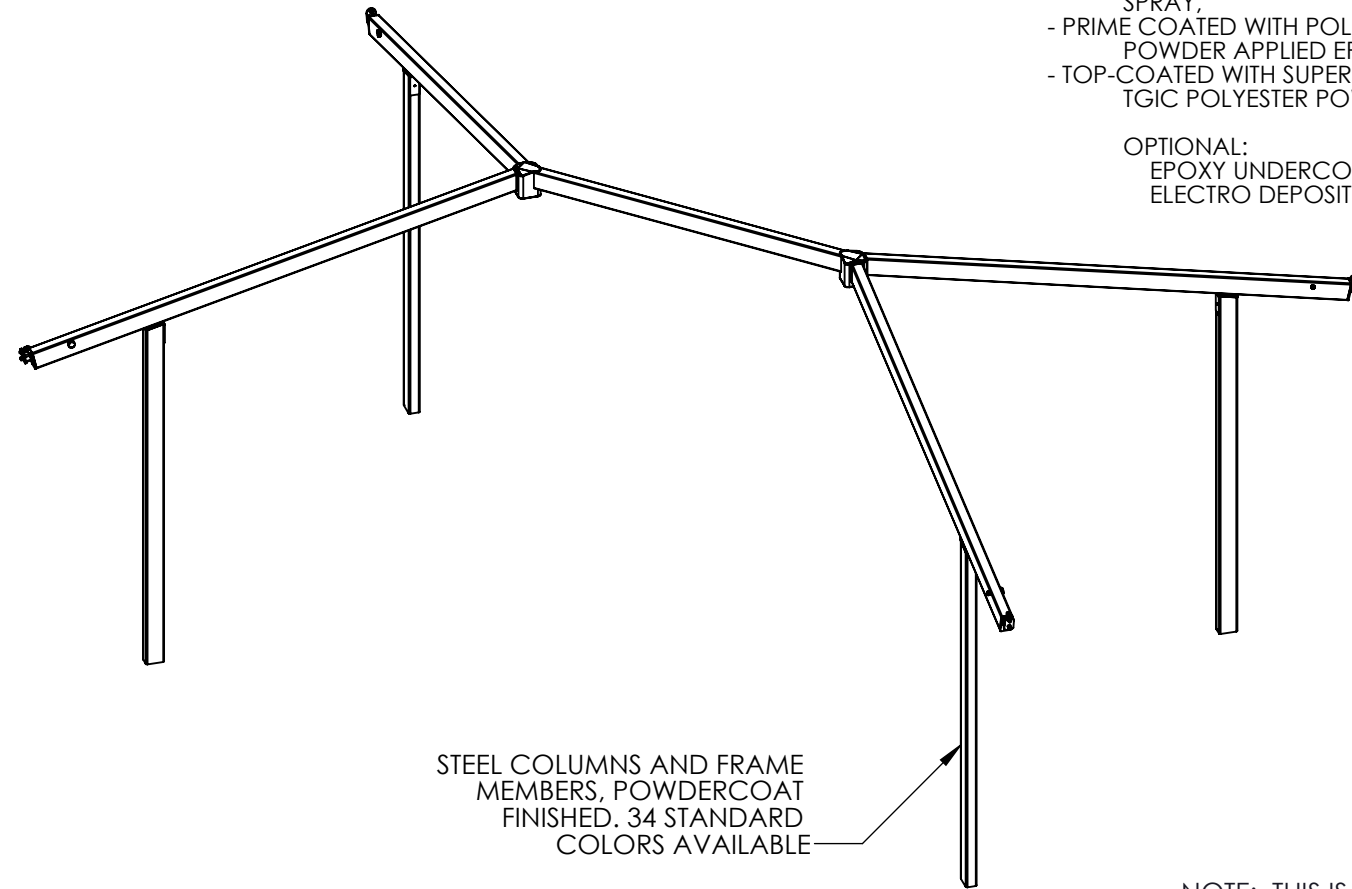
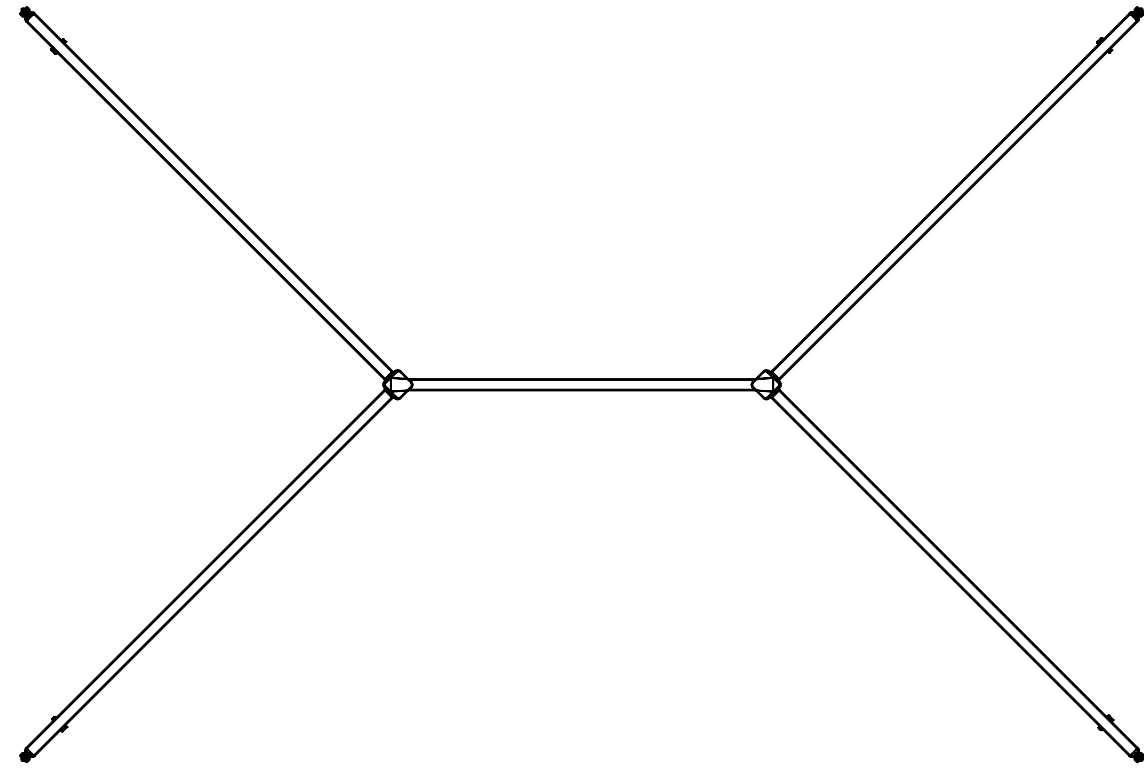
Designs and calculations of Poligon buildings are protected under copyright laws and patents and may not be used in the construction or design of a building that is not supplied by Poligon.

by **PORTERCORP**
PORTERCORP, 4240 N. 136th AVE, HOLLAND, MI 49424
www.poligonfabric.com 616-399-1963

SHEET
ELEVATION VIEWS

FRAME FINISH:
 - MEMBERS SHOT BLASTED TO NEAR WHITE CONDITION (SSPC SP-10),
 - WASHED AND SEALED IN A PHOSPHATE SPRAY,
 - PRIME COATED WITH POLI-5000 HIGH PERFORMANCE POWDER APPLIED EPOXY,
 - TOP-COATED WITH SUPER-DURABLE TGIC POLYESTER POWDER AND OVEN CURED.

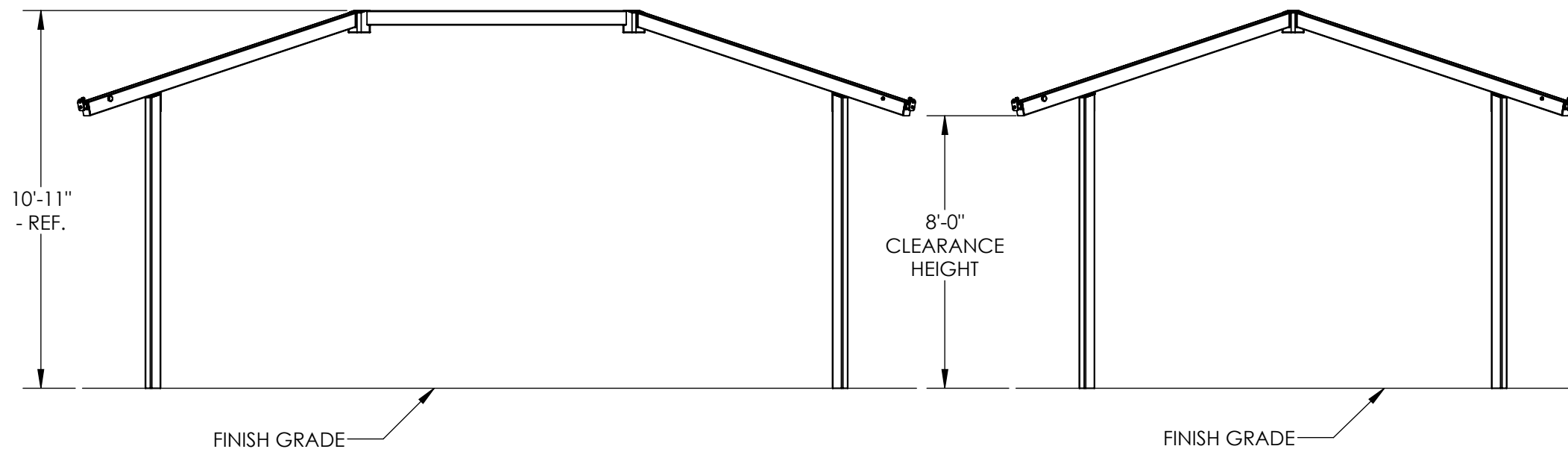
OPTIONAL:
 EPOXY UNDERCOAT (E-COAT) FULL IMMERSION ELECTRO DEPOSITION PROCESS.



STEEL COLUMNS AND FRAME MEMBERS, POWDERCOAT FINISHED. 34 STANDARD COLORS AVAILABLE

NOTE: THIS IS A
 PLANNING LEVEL DRAWING.

THE STRUCTURE SHOWN IS SUBJECT TO ON-GOING DESIGN REVIEW AND UPDATE. EXPECT SOME CHANGES TO MATERIAL SIZES AND GENERAL DIMENSIONS. ONLY USE DRAWINGS PROVIDED WITH ENGINEERED STRUCTURES FOR CONSTRUCTION.



SHELTER MODEL:
FABRIC HIP RECTANGLE 16X24
IHIP-16X24

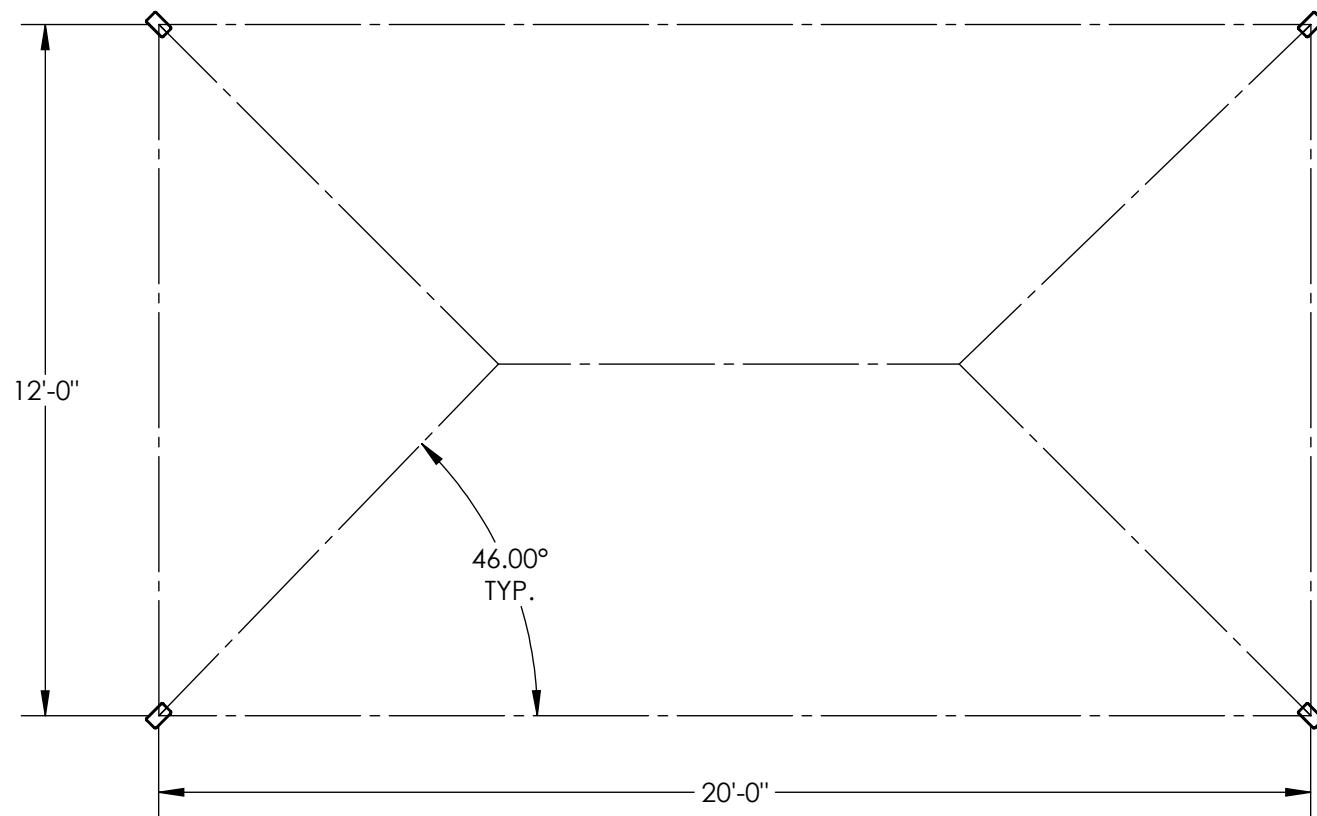
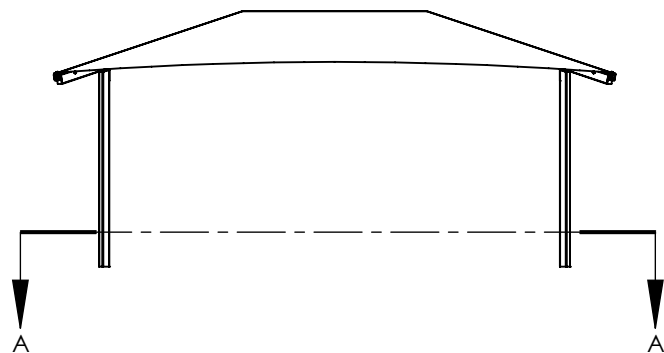
| | | |
|----------------|-----------------|--------------------|
| SCALE: 1:50 | REV LEVEL: A | DATE: 6/28/2012 |
|----------------|-----------------|--------------------|



Designs and calculations of Poligon buildings are protected under copyright laws and patents and may not be used in the construction or design of a building that is not supplied by Poligon.

by **PORTERCORP**
 PORTERCORP, 4240 N. 136th AVE, HOLLAND, MI 49424
 www.poligonfabric.com 616-399-1963

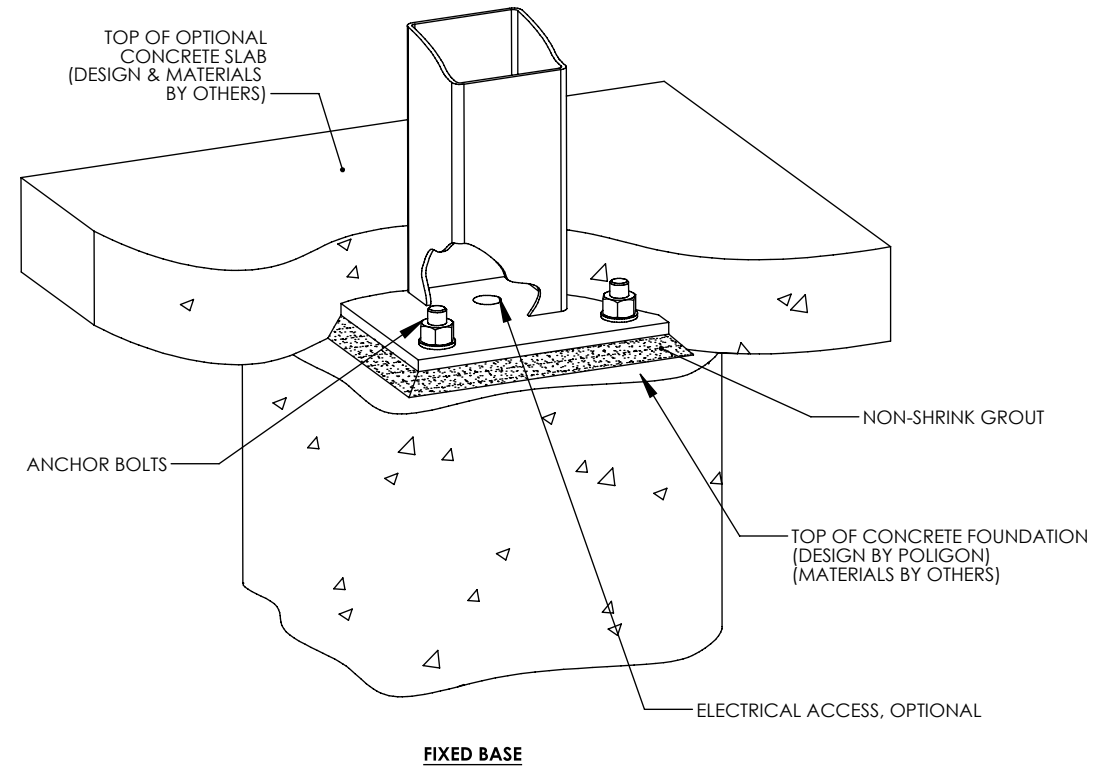
SHEET
FRAME VIEWS



SECTION A-A

NOTE: THIS IS A
PLANNING LEVEL DRAWING.

THE STRUCTURE SHOWN IS SUBJECT TO
ON-GOING DESIGN REVIEW AND
UPDATE. EXPECT SOME CHANGES
TO MATERIAL SIZES AND GENERAL
DIMENSIONS. ONLY USE DRAWINGS
PROVIDED WITH ENGINEERED
STRUCTURES FOR CONSTRUCTION.



REFER TO ANCHOR AND FOOTING
DOWNLOAD SHEETS FOR GENERAL
INFORMATION ON BOTH ANCHOR
ATTACHMENT AND TYPICAL FOOTING
TYPES. ANCHOR ATTACHMENT AND
FOOTING DESIGNS ARE SITE AND
SITUATION SPECIFIC AND ARE INTEGRAL
TO THE FINAL SHELTER DESIGN.

ALL POLIGON COLUMN ANCHORING
SYSTEMS ARE OSHA COMPLIANT.

DO NOT POUR FOOTING OR INSTALL
ANCHOR BOLTS WITHOUT **JOB SPECIFIC**
ANCHOR AND FOOTING DESIGN
DRAWINGS.

THIS IS A PRELIMINARY DRAWING. THE ANCHOR
METHOD, AND DIMENSIONS SHOWN ARE TENTATIVE.
ENGINEERING REVIEW OF CODE REQUIREMENTS MAY
INDICATE THE NEED FOR AN ALTERNATIVE
ANCHORING METHOD. ONLY USE INSTALLATION LEVEL
DRAWINGS PROVIDED WITH EACH SPECIFIC SHELTER
FOR ANCHOR BOLT LAYOUT AND INSTALLATION.

SHELTER MODEL:
FABRIC HIP RECTANGLE 16X24
IHIP-16X24

| | | |
|---------------|-----------------|--------------------|
| SCALE: 1:4 | REV LEVEL: A | DATE: 6/28/2012 |
|---------------|-----------------|--------------------|



Designs and calculations of Poligon buildings are protected under copyright
laws and patents and may not be used in the construction or design of a
building that is not supplied by Poligon.

by **PORTERCORP**
PORTERCORP, 4240 N. 136th AVE, HOLLAND, MI 49424
www.poligonfabric.com 616-399-1963

SHEET
COLUMN LAYOUT