

Poligon Fabric Shelter Specification Form

by **PORTERCORP**
 PORTERCORP, 4240 N. 136th AVE, HOLLAND, MI 49424
 www.poligonfabric.com 616-399-1963

PROJECT NAME: _____

PROJECT LOCATION: _____

CUSTOMER NAME: _____

E-MAIL: _____

COMPANY: _____

ADDRESS: _____

ADDRESS 2: _____

CITY: _____

STATE: _____ ZIP: _____

PHONE: _____ FAX: _____

SEISMIC DESIGN: _____ BLDG CODE: _____

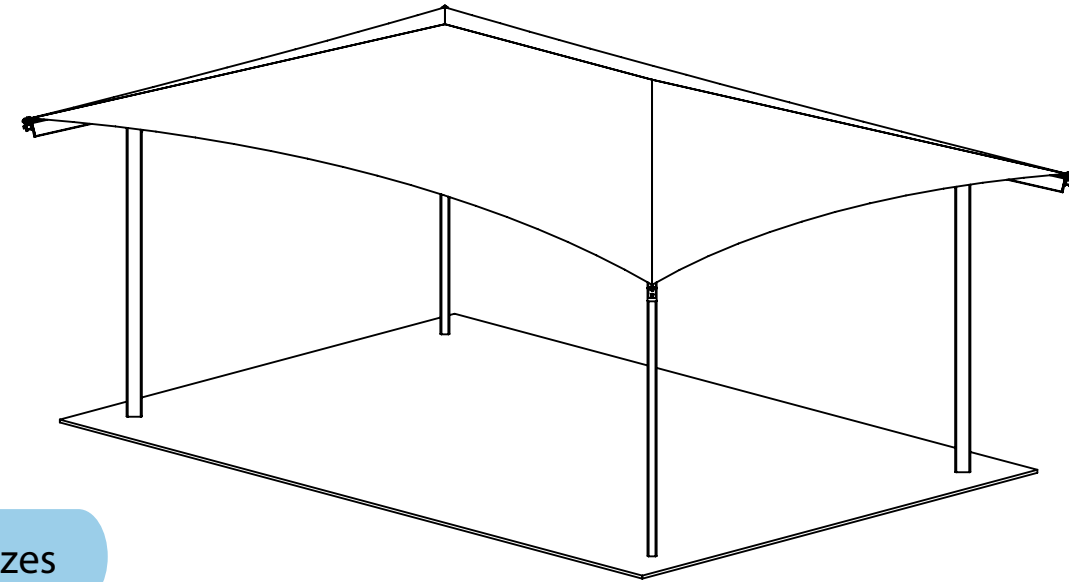
STANDARD WITH THIS BUILDING:

- Structural steel frame finished with PorterCorp's super-durable Poli-5000 powercoat finish
- Epoxy primer powder coat applied for superior corrosion protection
- HDPE Fabric top
- Patented telescoping eaves to facilitate easy top installation and removal

SELECT MODIFICATIONS TO A STANDARD:

- Custom clearance height:
- Add electrical cutouts
- Add e-coating
- Add galvanizing
- Water resistant top
- Water proof vinyl top

Fabric Hip Shelter [IHIP]



Standard Sizes

BIN	Width	Length	Clearance	Number of Columns
IHIP	12	18	8'-0"	4
IHIP	12	22	8'-0"	4
IHIP	16	16	8'-0"	4
IHIP	16	24	8'-0"	4
IHIP	16	34	8'-0"	4
IHIP	20	20	8'-0"	4
IHIP	20	24	8'-0"	4
IHIP	20	34	8'-0"	4
IHIP	20	44	8'-0"	6
IHIP	24	24	10'-0"	4
IHIP	24	34	10'-0"	4

BIN	Width	Length	Clearance	Number of Columns
IHIP	24	44	10'-0"	6
IHIP	30	30	10'-0"	4
IHIP	30	34	10'-0"	4
IHIP	30	44	10'-0"	6
IHIP	36	36	10'-0"	4
IHIP	40	40	12'-0"	8
IHIP	40	44	12'-0"	8
IHIP	40	64	12'-0"	8
IHIP	50	50	12'-0"	8
IHIP	50	64	12'-6"	8

Sheet Index

- COVER SHEET / ORDER FORM
- ELEVATION VIEWS
- STRUCTURAL FRAME
- ANCHOR LAYOUT

See website for steel frame and fabric roof color choices: www.poligonfabric.com

SHELTER MODEL:
FABRIC HIP SHELTER
IHIP

SCALE: 1:45 REV LEVEL: A DATE: 4/01/13



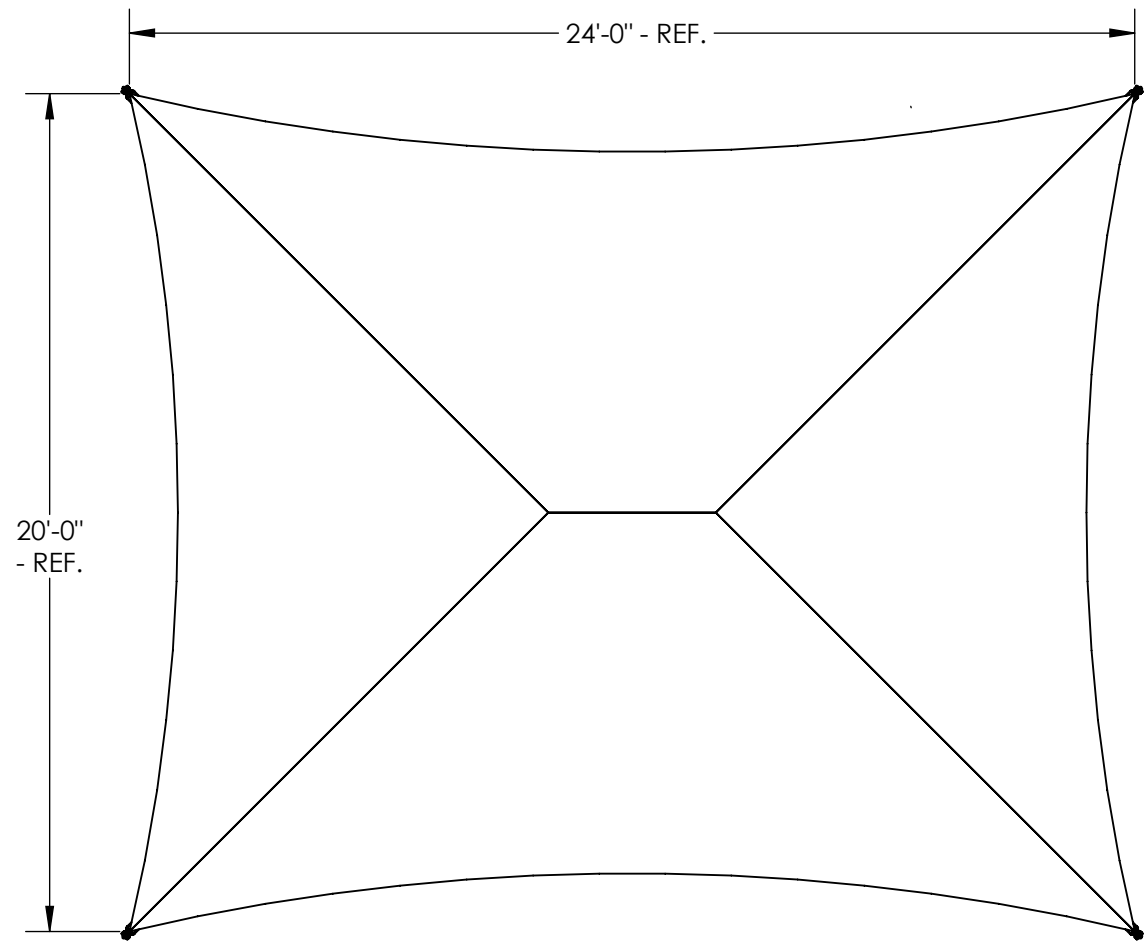
Designs and calculations of Poligon buildings are protected under copyright laws and patents and may not be used in the construction or design of a building that is not supplied by Poligon.

by **PORTERCORP**
 PORTERCORP, 4240 N. 136th AVE, HOLLAND, MI 49424
 www.poligonfabric.com 616-399-1963

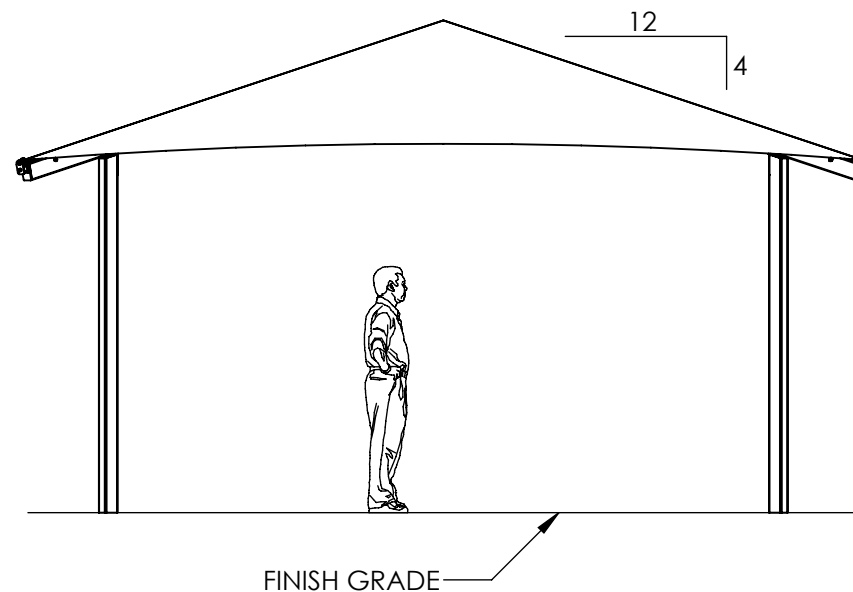
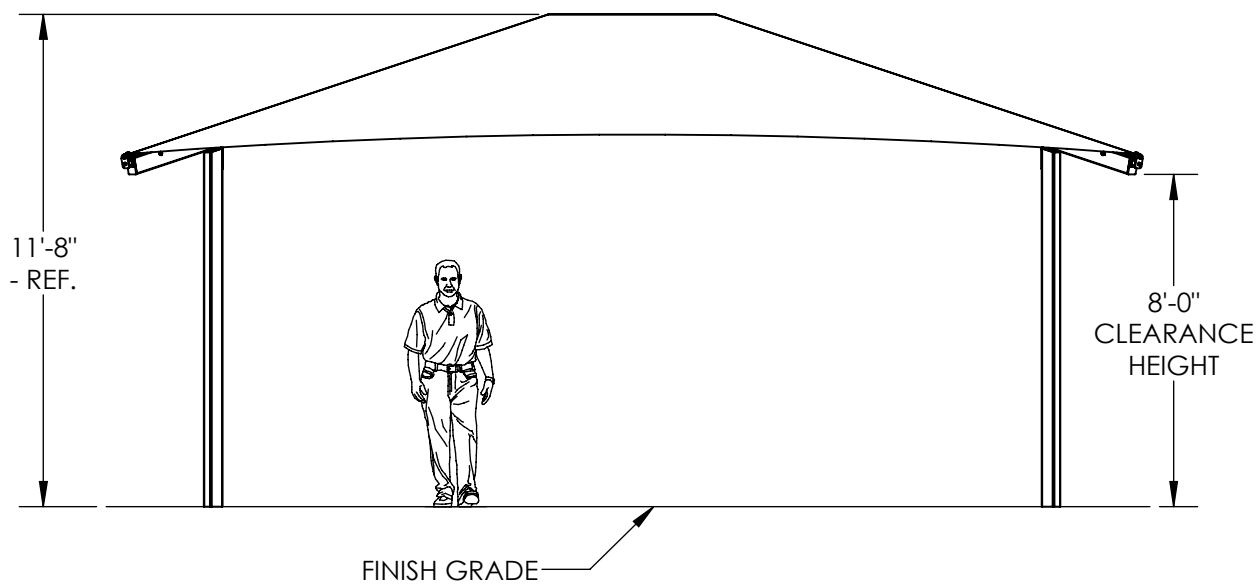
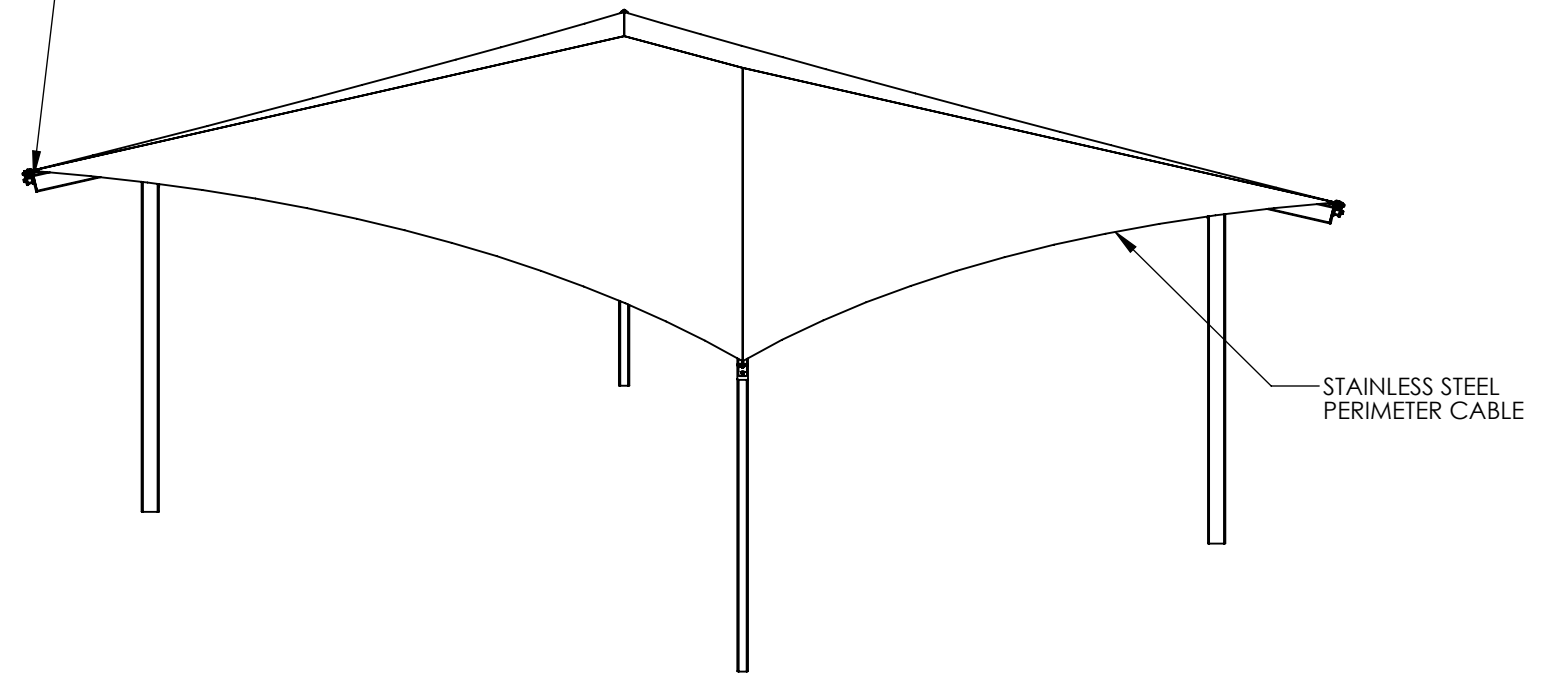
SHEET
COVER SHEET

NOTE: THIS IS A
PLANNING LEVEL DRAWING.

THE STRUCTURE SHOWN IS SUBJECT TO
ON-GOING DESIGN REVIEW AND
UPDATE. EXPECT SOME CHANGES
TO MATERIAL SIZES AND GENERAL
DIMENSIONS. ONLY USE DRAWINGS
PROVIDED WITH ENGINEERED
STRUCTURES FOR CONSTRUCTION.



PARASOL'S PATENTED
TELESCOPING EAVES (X4)
FACILITATE EASY FABRIC TOP
INSTALLATION AND REMOVAL.
ALLOW APROX. 6" CLEARANCE
IN TENSION DIRECTION.



THIS SHELTER PROVIDES 480 SQUARE FEET OF SHADE.

SHELTER MODEL:
FABRIC HIP RECTANGLE 20X24
IHIP-20X24

SCALE: 1:55	REV LEVEL: A	DATE: 6/28/2012
----------------	-----------------	--------------------

poligon
FABRIC

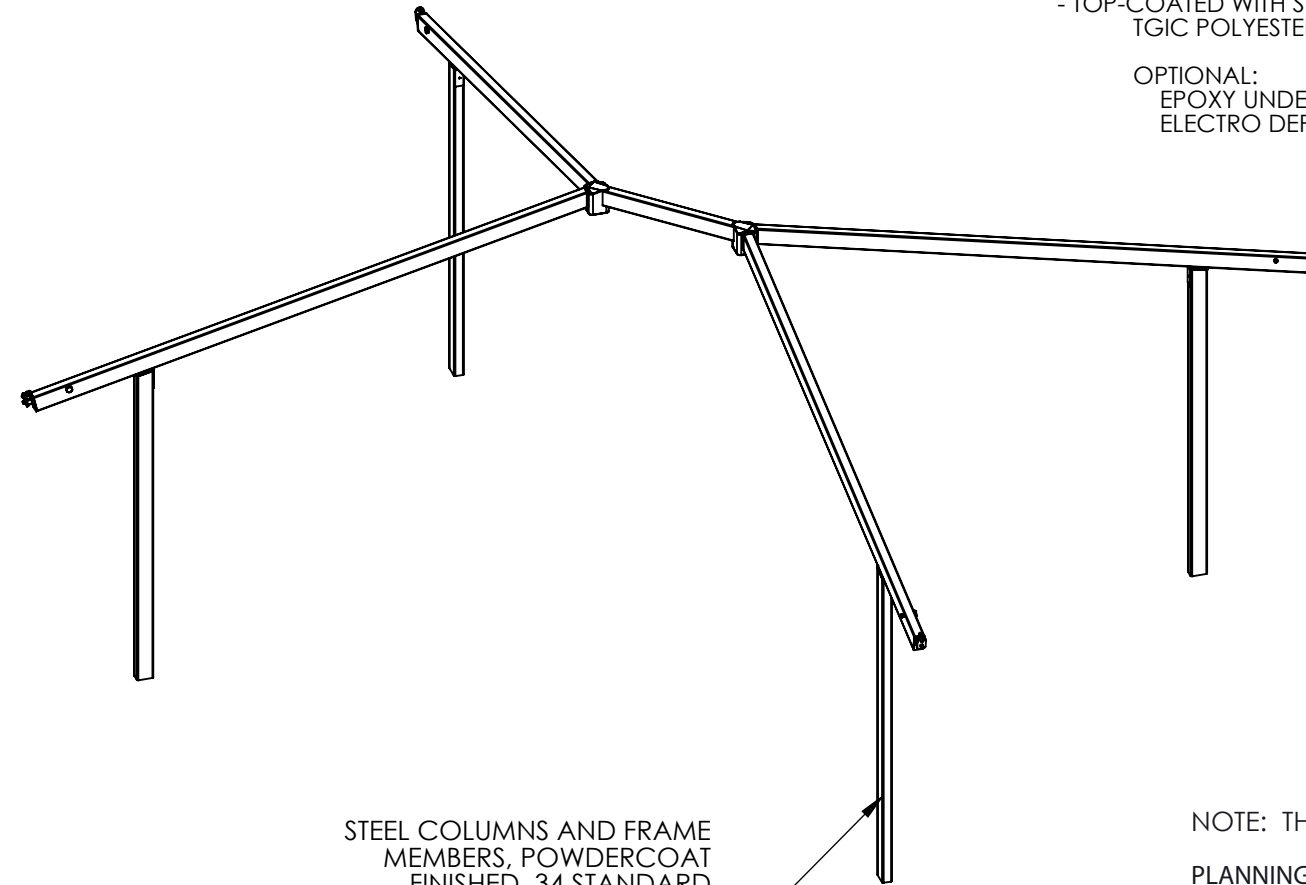
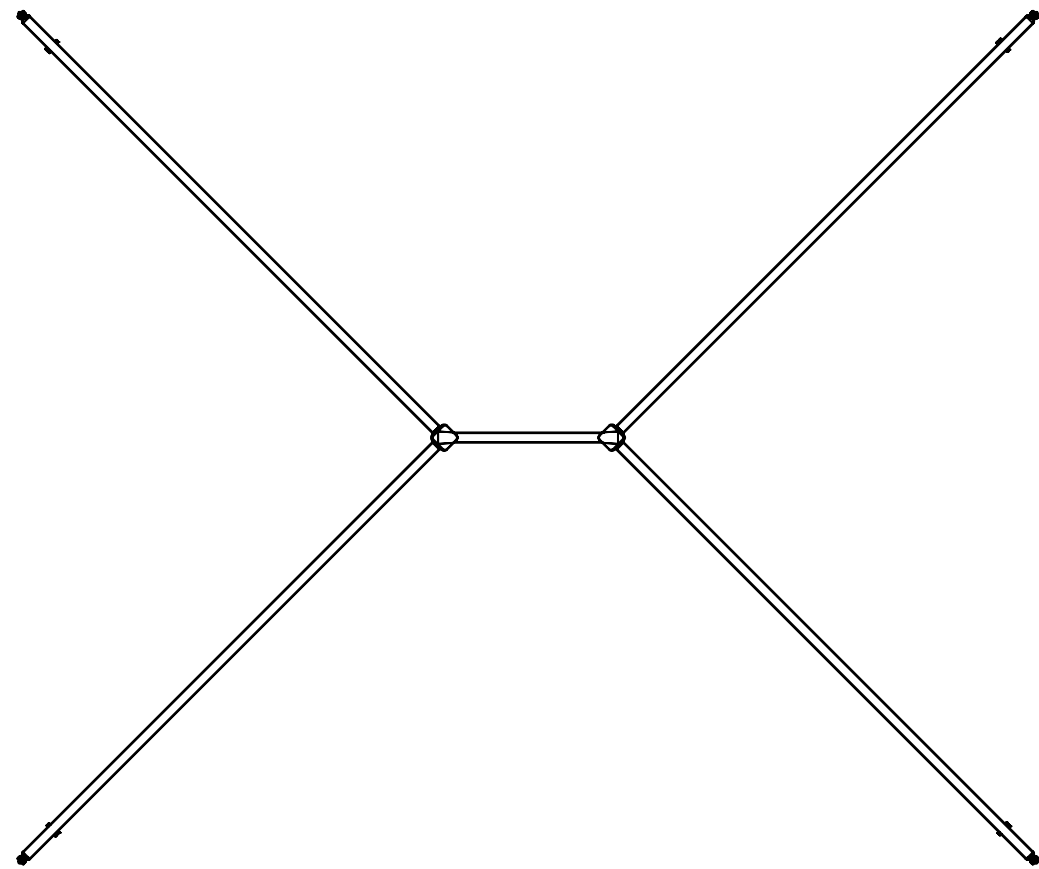
Designs and calculations of Poligon buildings are protected under copyright laws and patents and may not be used in the construction or design of a building that is not supplied by Poligon.

by **PORTERCORP**
PORTERCORP, 4240 N. 136th AVE, HOLLAND, MI 49424
www.poligonfabric.com 616-399-1963

SHEET
ELEVATION VIEWS

FRAME FINISH:
 - MEMBERS SHOT BLASTED TO NEAR WHITE CONDITION (SSPC SP-10),
 - WASHED AND SEALED IN A PHOSPHATE SPRAY,
 - PRIME COATED WITH POLI-5000 HIGH PERFORMANCE POWDER APPLIED EPOXY,
 - TOP-COATED WITH SUPER-DURABLE TGIC POLYESTER POWDER AND OVEN CURED.

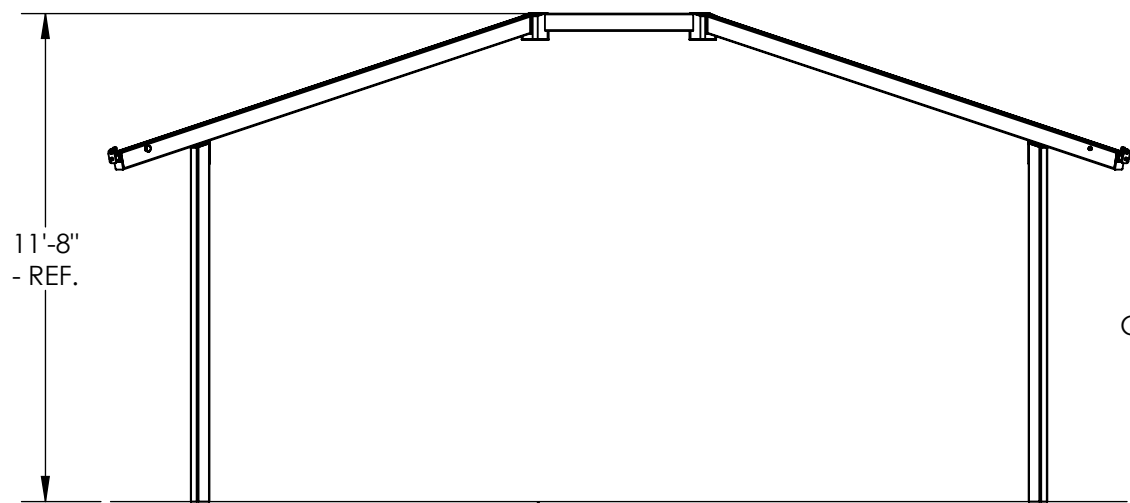
OPTIONAL:
 EPOXY UNDERCOAT (E-COAT) FULL IMMERSION ELECTRO DEPOSITION PROCESS.



STEEL COLUMNS AND FRAME MEMBERS, POWDERCOAT FINISHED. 34 STANDARD COLORS AVAILABLE

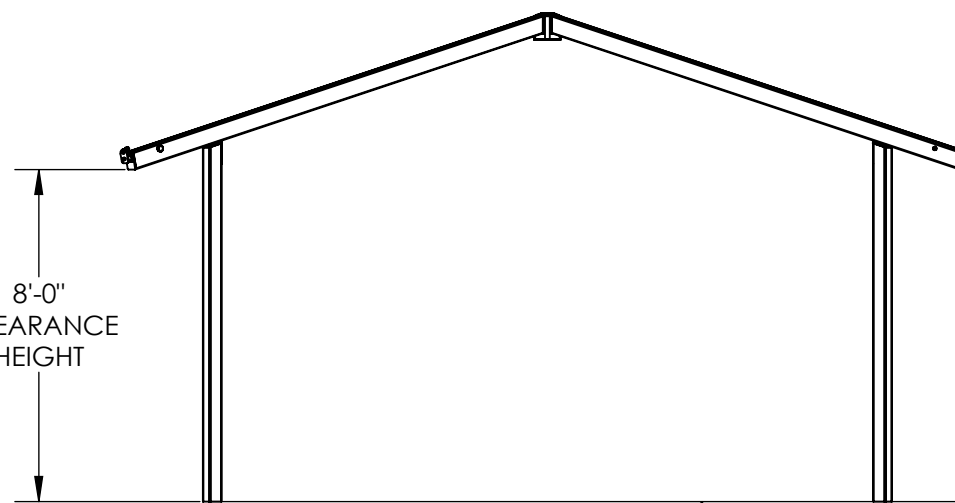
NOTE: THIS IS A PLANNING LEVEL DRAWING.

THE STRUCTURE SHOWN IS SUBJECT TO ON-GOING DESIGN REVIEW AND UPDATE. EXPECT SOME CHANGES TO MATERIAL SIZES AND GENERAL DIMENSIONS. ONLY USE DRAWINGS PROVIDED WITH ENGINEERED STRUCTURES FOR CONSTRUCTION.



11'-8"
- REF.

FINISH GRADE



8'-0"
CLEARANCE
HEIGHT

FINISH GRADE

SHELTER MODEL:
FABRIC HIP RECTANGLE 20X24
IHIP-20X24

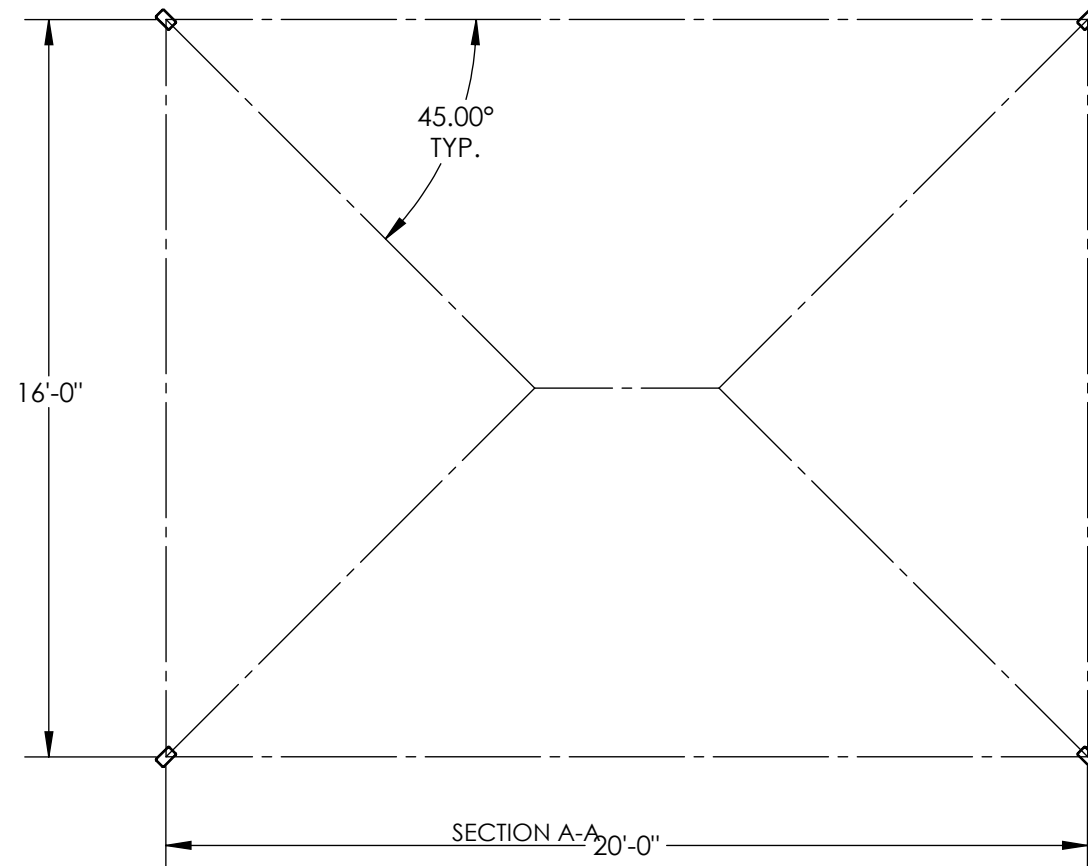
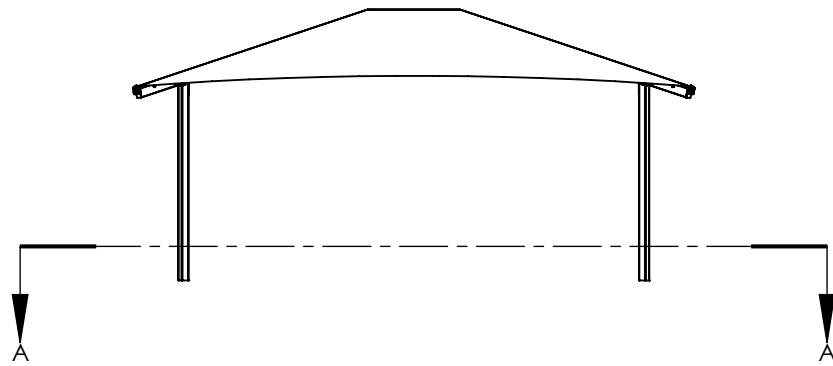
SCALE: 1:55	REV LEVEL: A	DATE: 6/28/2012
----------------	-----------------	--------------------



Designs and calculations of Poligon buildings are protected under copyright laws and patents and may not be used in the construction or design of a building that is not supplied by Poligon.

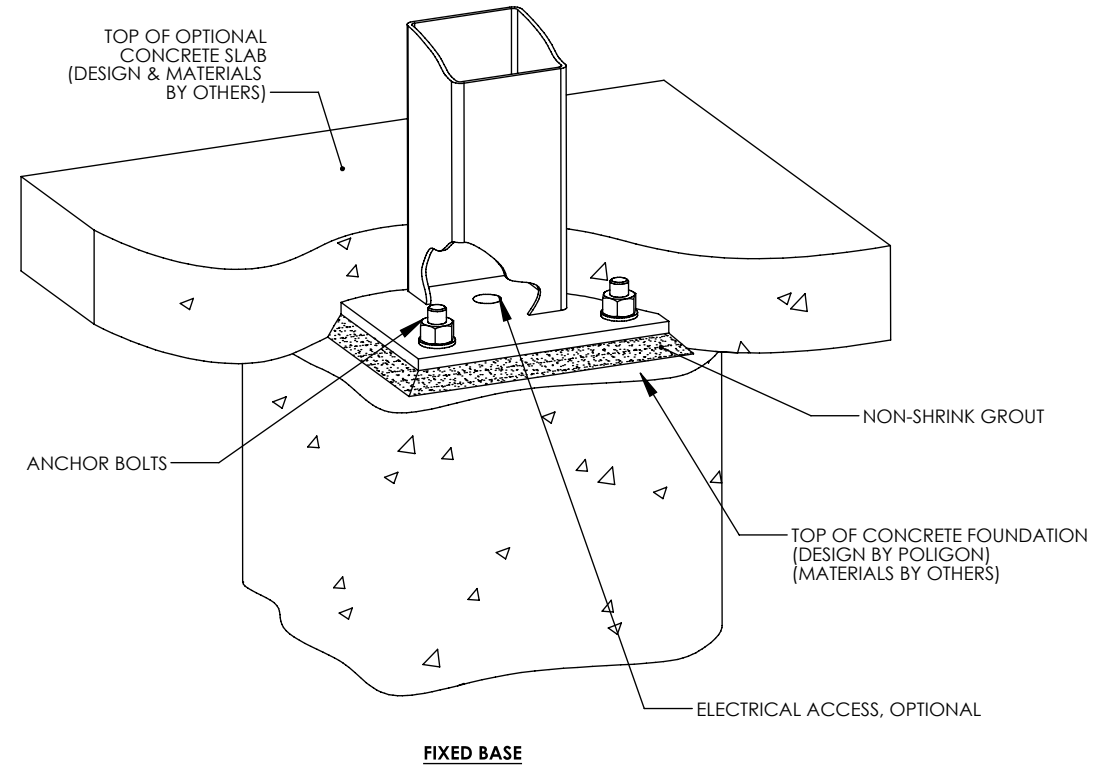
by **PORTERCORP**
 PORTERCORP, 4240 N. 136th AVE, HOLLAND, MI 49424
 www.poligonfabric.com 616-399-1963

SHEET
FRAME VIEWS



NOTE: THIS IS A
PLANNING LEVEL DRAWING.

THE STRUCTURE SHOWN IS SUBJECT TO
ON-GOING DESIGN REVIEW AND
UPDATE. EXPECT SOME CHANGES
TO MATERIAL SIZES AND GENERAL
DIMENSIONS. ONLY USE DRAWINGS
PROVIDED WITH ENGINEERED
STRUCTURES FOR CONSTRUCTION.



REFER TO ANCHOR AND FOOTING
DOWNLOAD SHEETS FOR GENERAL
INFORMATION ON BOTH ANCHOR
ATTACHMENT AND TYPICAL FOOTING
TYPES. ANCHOR ATTACHMENT AND
FOOTING DESIGNS ARE SITE AND
SITUATION SPECIFIC AND ARE INTEGRAL
TO THE FINAL SHELTER DESIGN.

ALL POLIGON COLUMN ANCHORING
SYSTEMS ARE OSHA COMPLIANT.

DO NOT POUR FOOTING OR INSTALL
ANCHOR BOLTS WITHOUT **JOB SPECIFIC**
ANCHOR AND FOOTING DESIGN
DRAWINGS.

THIS IS A PRELIMINARY DRAWING. THE ANCHOR
METHOD, AND DIMENSIONS SHOWN ARE TENTATIVE.
ENGINEERING REVIEW OF CODE REQUIREMENTS MAY
INDICATE THE NEED FOR AN ALTERNATIVE
ANCHORING METHOD. ONLY USE INSTALLATION LEVEL
DRAWINGS PROVIDED WITH EACH SPECIFIC SHELTER
FOR ANCHOR BOLT LAYOUT AND INSTALLATION.

SHELTER MODEL:
FABRIC HIP RECTANGLE 20X24
IHIP-20X24

SCALE: 1:4	REV LEVEL: A	DATE: 6/28/2012
---------------	-----------------	--------------------



Designs and calculations of Poligon buildings are protected under copyright
laws and patents and may not be used in the construction or design of a
building that is not supplied by Poligon.

by **PORTERCORP**
PORTERCORP, 4240 N. 136th AVE, HOLLAND, MI 49424
www.poligonfabric.com 616-399-1963

SHEET
COLUMN LAYOUT